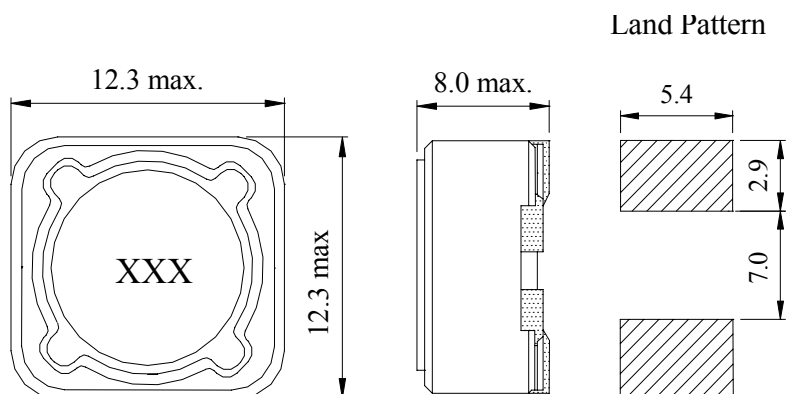


【SDRH127-SERIES】

DIMENSIONS & RECOMMENDED PATTERN



Unit: mm

※ FEATURES

- Applications : DC to DC converters for VTR, OA equipment, LCD television set, notebook, portable communication equipments

SELECTION GUIDE FOR STANDARD COILS

| SDE Part Number | Inductance | Tolerance | DC Resistance | Inductance Decrease Current |
|-----------------|------------|------------|------------------|-----------------------------|
| | (μ H) | (%) | (Ω) Max | (A) Max |
| SDRH127 - 1R2N | 1.2 | $\pm 30\%$ | 0.0070 | 9.80 |
| SDRH127 - 2R4N | 2.4 | $\pm 30\%$ | 0.0115 | 8.00 |
| SDRH127 - 3R5N | 3.5 | $\pm 30\%$ | 0.0135 | 7.50 |
| SDRH127 - 4R7N | 4.7 | $\pm 30\%$ | 0.0158 | 6.80 |
| SDRH127 - 6R1N | 6.1 | $\pm 30\%$ | 0.0176 | 6.60 |
| SDRH127 - 7R6N | 7.6 | $\pm 30\%$ | 0.0200 | 5.90 |
| SDRH127 - 100M | 10.0 | $\pm 20\%$ | 0.0216 | 5.40 |
| SDRH127 - 120M | 12.0 | $\pm 20\%$ | 0.0243 | 4.90 |
| SDRH127 - 150M | 15.0 | $\pm 20\%$ | 0.0270 | 4.50 |
| SDRH127 - 180M | 18.0 | $\pm 20\%$ | 0.0392 | 3.90 |
| SDRH127 - 220M | 22.0 | $\pm 20\%$ | 0.0432 | 3.60 |
| SDRH127 - 270M | 27.0 | $\pm 20\%$ | 0.0459 | 3.40 |
| SDRH127 - 330M | 33.0 | $\pm 20\%$ | 0.0648 | 3.00 |
| SDRH127 - 390M | 39.0 | $\pm 20\%$ | 0.0729 | 2.75 |
| SDRH127 - 470M | 47.0 | $\pm 20\%$ | 0.1000 | 2.50 |
| SDRH127 - 560M | 56.0 | $\pm 20\%$ | 0.1100 | 2.35 |
| SDRH127 - 680M | 68.0 | $\pm 20\%$ | 0.1400 | 2.10 |
| SDRH127 - 820M | 82.0 | $\pm 20\%$ | 0.1600 | 1.95 |

【SDRH127-SERIES】

SELECTION GUIDE FOR STANDARD COILS

| SDE Part Number | Inductance | Tolerance | DC Resistance | Inductance Decrease Current |
|--------------------|------------|------------|------------------|--------------------------------|
| | (μ H) | (%) | (Ω) Max | (A) Max |
| SDRH127 - 101M | 100.0 | $\pm 20\%$ | 0.2200 | 1.70 |
| SDRH127 - 121M | 120.0 | $\pm 20\%$ | 0.2500 | 1.60 |
| SDRH127 - 151M | 150.0 | $\pm 20\%$ | 0.2800 | 1.42 |
| SDRH127 - 181M | 180.0 | $\pm 20\%$ | 0.3500 | 1.30 |
| SDRH127 - 221M | 220.0 | $\pm 20\%$ | 0.3900 | 1.16 |
| SDRH127 - 271M | 270.0 | $\pm 20\%$ | 0.5600 | 1.06 |
| SDRH127 - 331M | 330.0 | $\pm 20\%$ | 0.6400 | 0.95 |
| SDRH127 - 391M | 390.0 | $\pm 20\%$ | 0.7000 | 0.88 |
| SDRH127 - 471M | 470.0 | $\pm 20\%$ | 0.9800 | 0.79 |
| SDRH127 - 561M | 560.0 | $\pm 20\%$ | 1.0700 | 0.73 |
| SDRH127 - 681M | 680.0 | $\pm 20\%$ | 1.4600 | 0.67 |
| SDRH127 - 821M | 820.0 | $\pm 20\%$ | 1.6400 | 0.60 |
| SDRH127 - 102M | 1000.0 | $\pm 20\%$ | 1.8200 | 0.55 |

※ GENERAL SPECIFICATION:

- Inductance drop =25% typ. at IDC.
- $\Delta T=40^{\circ}\text{C}$ rise at IDC.
- Operating Temperature : $-40^{\circ}\text{C} \sim +85^{\circ}\text{C}$
- Test Freq. : 1KHz / 0.25V.