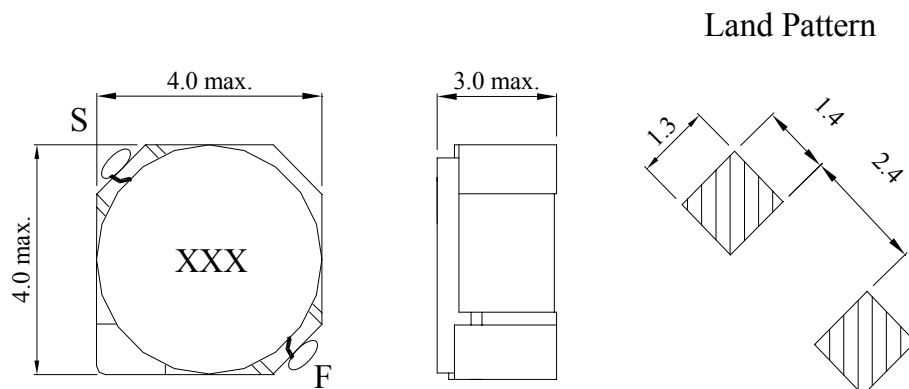


【SDRH3D28-SERIES】

DIMENSIONS & RECOMMENDED PATTERN



Unit: mm

※ FEATURES

- Applications : DC to DC converter of portable equipment, camcorder, LCD television set, digital camera, P.D.A., notebook

SELECTION GUIDE FOR STANDARD COILS

SDE Part Number	Inductance	Tolerance	DC Resistance	Inductance Decrease Current
	(μH)	(%)	(Ω) Max	(A) Max
SDRH3D28 - 1R0N	1.0	$\pm 30\%$	0.045	2.50
SDRH3D28 - 3R3N	3.3	$\pm 30\%$	0.0721	1.85
SDRH3D28 - 4R7N	4.7	$\pm 30\%$	0.0883	1.62
SDRH3D28 - 6R8N	6.8	$\pm 30\%$	0.119	1.24
SDRH3D28- 100N	10.0	$\pm 30\%$	0.145	1.05
SDRH3D28 - 150N	15.0	$\pm 30\%$	0.213	0.90
SDRH3D28 - 220N	22.0	$\pm 30\%$	0.335	0.74
SDRH3D28 - 330N	33.0	$\pm 30\%$	0.481	0.58
SDRH3D28- 470N	47.0	$\pm 30\%$	0.599	0.48

※ GENERAL SPECIFICATION:

- Inductance drop =35% typ. at IDC.
- $\Delta T=30^\circ\text{C}$ rise at IDC.
- Operating Temperature : $-40^\circ\text{C} \sim +85^\circ\text{C}$
- Test Freq. : 100KHz / 0.1V.