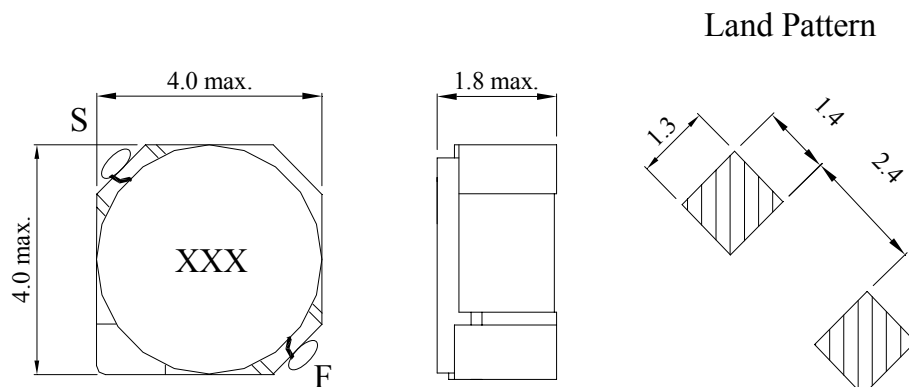


【SDRH3D16-SERIES】

DIMENSIONS & RECOMMENDED PATTERN



Unit: mm

※ FEATURES

- Applications : DC to DC converter of portable equipment, camcorder, LCD television set, digital camera, P.D.A., notebook

SELECTION GUIDE FOR STANDARD COILS

SDE Part Number	Inductance	Tolerance	DC Resistance	Inductance Decrease Current
	(μ H)	(%)	(Ω) Max	(A) Max
SDRH3D16 - R26N	0.26	$\pm 35\%$	0.0275	3.60
SDRH3D16 - R47N	0.47	$\pm 35\%$	0.0350	2.75
SDRH3D16 - 0R7N	0.70	$\pm 35\%$	0.0430	2.25
SDRH3D16 - 1R1N	1.1	$\pm 35\%$	0.0500	1.90
SDRH3D16 - 1R5N	1.5	$\pm 30\%$	0.0520	1.55
SDRH3D16 - 2R2N	2.2	$\pm 30\%$	0.0720	1.20
SDRH3D16 - 3R3N	3.3	$\pm 30\%$	0.0850	1.10
SDRH3D16 - 4R7N	4.7	$\pm 30\%$	0.1050	0.90
SDRH3D16 - 5R0N	5.0	$\pm 30\%$	0.1100	0.88
SDRH3D16 - 5R6N	5.6	$\pm 30\%$	0.1460	0.80
SDRH3D16 - 6R8N	6.8	$\pm 30\%$	0.1700	0.73
SDRH3D16 - 100N	10.0	$\pm 30\%$	0.2100	0.55
SDRH3D16 - 150N	15.0	$\pm 30\%$	0.2950	0.45
SDRH3D16 - 220N	22.0	$\pm 30\%$	0.4300	0.40
SDRH3D16 - 330N	33.0	$\pm 30\%$	0.6750	0.32

※ GENERAL SPECIFICATION:

- Inductance drop =35% typ. at IDC.
- $\Delta T=30^{\circ}\text{C}$ rise at IDC.
- Operating Temperature : $-40^{\circ}\text{C} \sim +85^{\circ}\text{C}$
- Test Freq. : 100KHz / 0.1V.