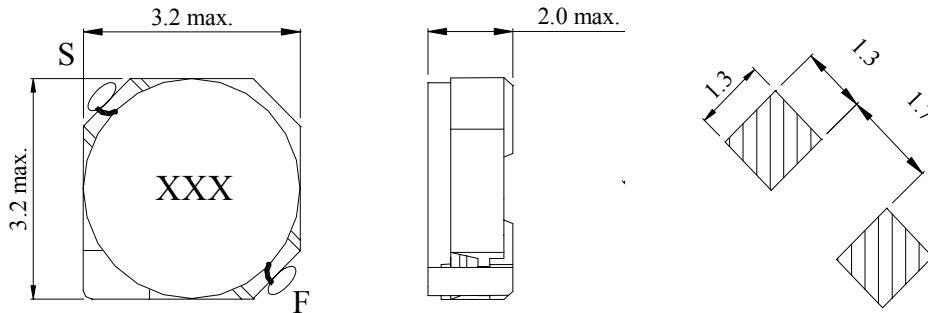


### 【SDRH2D18-SERIES】

#### DIMENSIONS & RECOMMENDED PATTERN

Land Pattern



Unit: mm

※ FEATURES

- Applications : DC to DC converter of portable equipment, camcorder, LCD television set, digital camera, P.D.A., notebook

#### SELECTION GUIDE FOR STANDARD COILS

SDE Part Number	Inductance (μH)	Tolerance (%)	DC Resistance (Ω) Max	Inductance Decrease Current (A) Max	Temperature Rise Current (A) Max
SDRH2D18 - 2R2N	2.2	± 30%	0.041	0.85	2.30
SDRH2D18 - 3R3N	3.3	± 30%	0.054	0.75	2.10
SDRH2D18 - 4R7N	4.7	± 30%	0.078	0.63	1.65
SDRH2D18 - 6R8N	6.8	± 30%	0.106	0.52	1.32
SDRH2D18 - 100N	10.0	± 30%	0.180	0.43	1.00
SDRH2D18 - 150N	15.0	± 30%	0.220	0.35	0.80
SDRH2D18 - 220N	22.0	± 30%	0.320	0.30	0.68
SDRH2D18 - 330N	33.0	± 30%	0.460	0.24	0.56
SDRH2D18 - 470N	47.0	± 30%	0.660	0.20	0.48
SDRH2D18 - 680M	68.0	± 20%	1.295	0.175	0.375
SDRH2D18 - 820M	82.0	± 20%	1.437	0.150	0.35

※ GENERAL SPECIFICATION:

- Inductance drop =35% typ. at IDC.
- ΔT=40°C rise at IDC.
- Operating Temperature : -40°C ~ + 85°C
- Test Freq. : 100KHz / 0.1V.